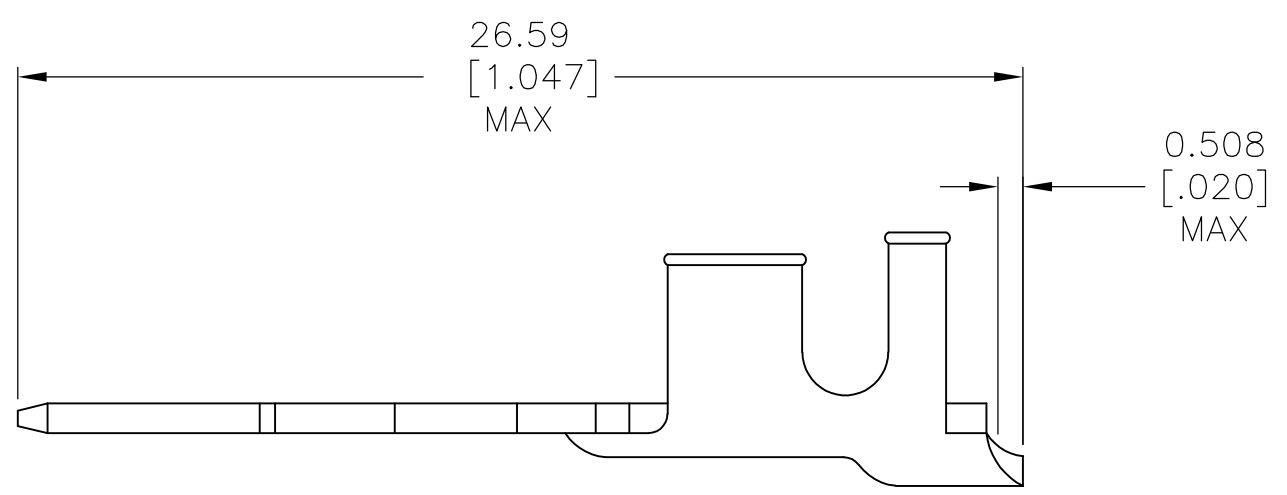


THIS DRAWING IS UNPUBLISHED. RELEASED FOR PUBLICATION
 © COPYRIGHT - By - ALL RIGHTS RESERVED.

LOC	DIST	REVISIONS				
P	LTR	DESCRIPTION	DATE	DWN	APVD	
AF	50	D1	REVISED PER ECR-14-015005	04NOV2014	NK	DH

1 FOR ADDITIONAL INFORMATION SEE CUSTOMER DRAWING NO. 640416.



NICKEL	18-14 AWG	.142 MAX	641256-3
FOR INTERNAL COMPANY USE ONLY			641256-2
-	18-14 AWG	.142 MAX	641256-1
FINISH	WIRE RANGE	INSULATION DIA	PART NO

THIS DRAWING IS A CONTROLLED DOCUMENT.		DWN RAGHAVENDRA 08MAY2008	STE TE Connectivity	
DIMENSIONS: mm [INCHES]		CHK KURT RANDOLPH 08MAY2008		
TOLERANCES UNLESS OTHERWISE SPECIFIED:		APVD KURT RANDOLPH 08MAY2008	NAME	
0 PLC ±		PRODUCT SPEC	250 BLADE, LOOSE PIECE	
1 PLC ±		APPLICATION SPEC	SIZE	CAGE CODE
2 PLC ±		WEIGHT	A3	00779
3 PLC ±		CUSTOMER DRAWING	DRAWING NO	RESTRICTED TO
4 PLC ±			C-641256	-
ANGLES ±			SCALE	SHEET
MATERIAL	FINISH		5:1	1 OF 1
BRASS	SEE TABLE		REV	D1